

Gasoline containing up to 10% ethanol (E10) is acceptable for use in this machine. The use of any gasoline exceeding 10% ethanol (E10) will void the product warranty.

## **Parts Manual**

### **RZ4219 / 967176102**



Please read the operator's manual carefully and make sure you understand the instructions before using the machine.

When you need spare parts or support in service questions, warranty issues, etc., please consult the following professional:

This manual belongs to the machine with the manufacturing number:	Engine	Transmission

**Manufacturing Number**

*The machine's manufacturing number can be found on the printed plate affixed to the engine compartment.*

Stated on the plate, from the top are:

- The machine's type designation (I.D.).
- The manufacturer's type number (Model).
- The machine's serial number (Serial no.)

*Please have the type designation and serial number available when ordering spare parts.*

The engine's manufacturing number is stamped on one of the valve covers.

The plate states:

- The engine's model.
- The engine's type.
- Code

*Please have these available when ordering spare parts.*

The wheel motors and hydrostatic pumps have a barcode decal affixed at the rear.

<b>Accessories Available</b>	
Collection System -----	966 610501
Mulch Kit-----	966 040441

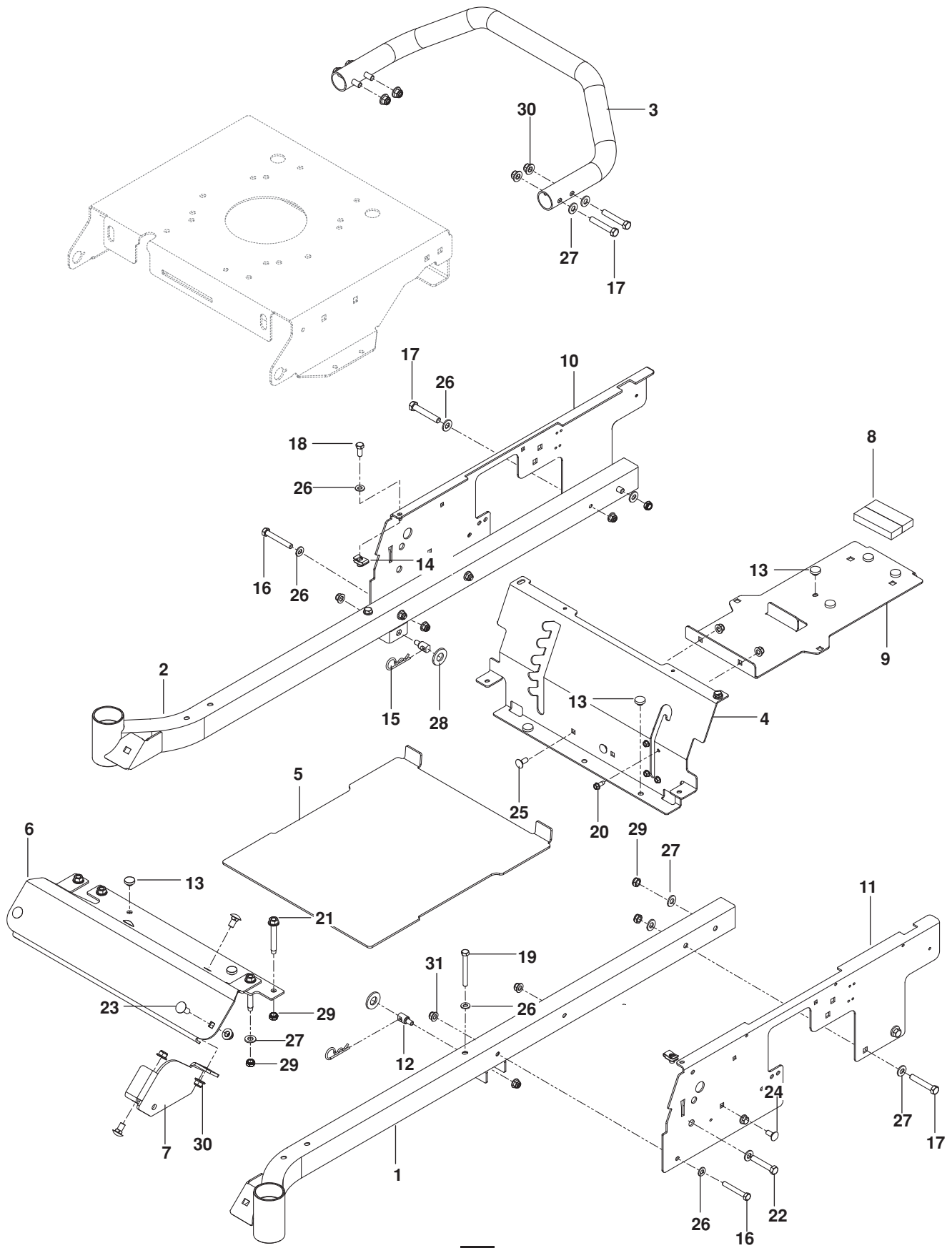
# CONTENTS

---

FRAME.....	4
ENGINE PLATE.....	6
STEERING .....	8
IGNITION SYSTEM.....	10
HYDRAULIC PUMP / MOTOR .....	12
WHEELS / TIRES .....	14
BRAKE / DECK LIFT .....	16
MOWER DECK / CUTTING DECK.....	18
SEAT .....	20
DECALS.....	22
ACCESSORIES.....	24
BAGGER .....	24
MOUNT, CHUTES AND WEIGHT .....	26
MULCH KIT.....	28

NOTE: ALL FASTENERS ARE GRADE 5 UNLESS OTHERWISE SPECIFIED.

# FRAME

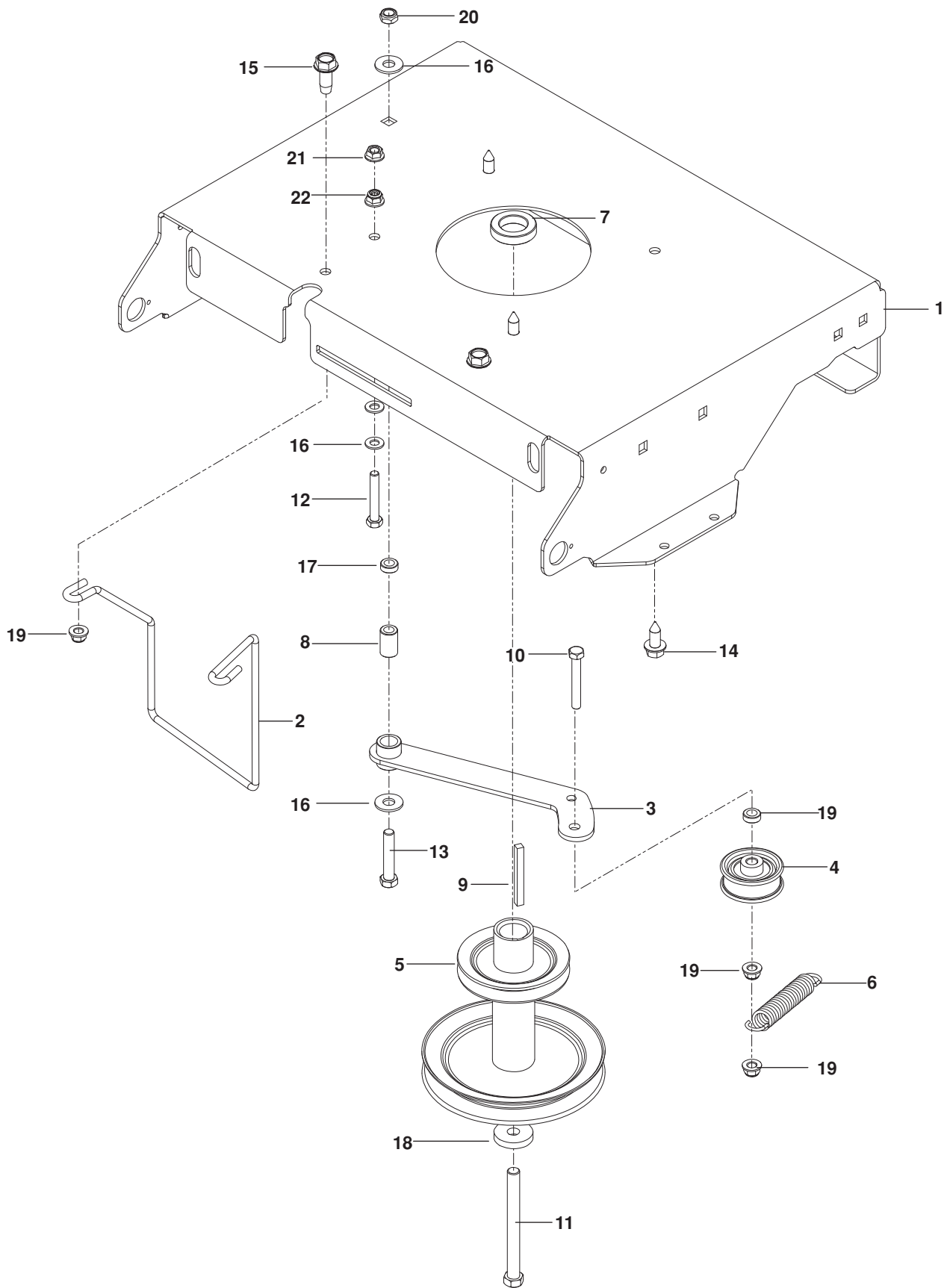


# FRAME

---

ITEM	PART NO.	QTY.	DESCRIPTION	ITEM	PART NO.	QTY.	DESCRIPTION
1..	525 454702....	1....	FRAME TUBE, LT ORG	17..	874 780636....	8....	HCS $\frac{3}{8}$ -16 x $2\frac{1}{4}$
2..	525 454902....	1....	FRAME TUBE, RT ORG	18..	874 780512....	2....	HCS $\frac{5}{16}$ -18 x $\frac{3}{4}$
3..	574 354702....	1....	BAR, IMPACT ORG	19..	874 780544....	2....	HCS $\frac{5}{16}$ -18 x $2\frac{3}{4}$
4..	575 661302....	1....	PANEL, SEAT SUPPORT ORG	20..	817 490410....	4....	SCREW $\frac{1}{4}$ -20 x $\frac{5}{8}$ SLF TAP
5..	576 414602....	1....	FOOT PLATE w/DECALS ORG	21..	874 490644....	4....	BOLT $\frac{3}{8}$ -16 x $2\frac{3}{4}$
6..	574 356002....	1....	FOOT REST ORG	22..	874 780844....	2....	HCS $\frac{1}{2}$ -13 x $2\frac{3}{4}$
7..	252 605502....	1....	BRACKET	23..	872 140608....	2....	RHSNB $\frac{3}{8}$ -16 x 1
8..	585 078801....	2....	FOAM STRIP	24..	872 140606....	2....	RHSNB $\frac{3}{8}$ -16 x $\frac{3}{4}$
9..	525 798402....	1....	SUPPORT, TANK BLK	25..	872 140506....	2....	RHSNB $\frac{5}{16}$ -18 x $\frac{3}{4}$
10..	575 328402....	1....	PLATE, RH ORG	26..	819 111116..	10....	WASHER $\frac{5}{16}$ SAE FLT
11..	575 328302....	1....	PLATE, LH ORG	27..	819 131316..	16....	WASHER $\frac{3}{8}$ SAE FLT
12..	532 195161....	2....	STUD w/ ANTI-ROTATE	28..	819 212113....	2....	WASHER $\frac{5}{8}$ SAE FLT
13..	539 102587....	8....	GROMMET, BUMPER	29..	539 200282....	8....	NUT $\frac{3}{8}$ -16 HEX JAM NYLOC
14..	539 104763....	4....	RETAINER, U TYPE	30..	521 996501....	6....	NUT $\frac{3}{8}$ -16 HEX FLG NYLOC
15..	539 976989....	2....	HAIRPIN	31..	539 112899..	12....	NUT $\frac{5}{16}$ -18 HEX FLG NYLOC
16..	874 780536....	4....	HCS $\frac{5}{16}$ -18 x $2\frac{1}{4}$				

# ENGINE PLATE

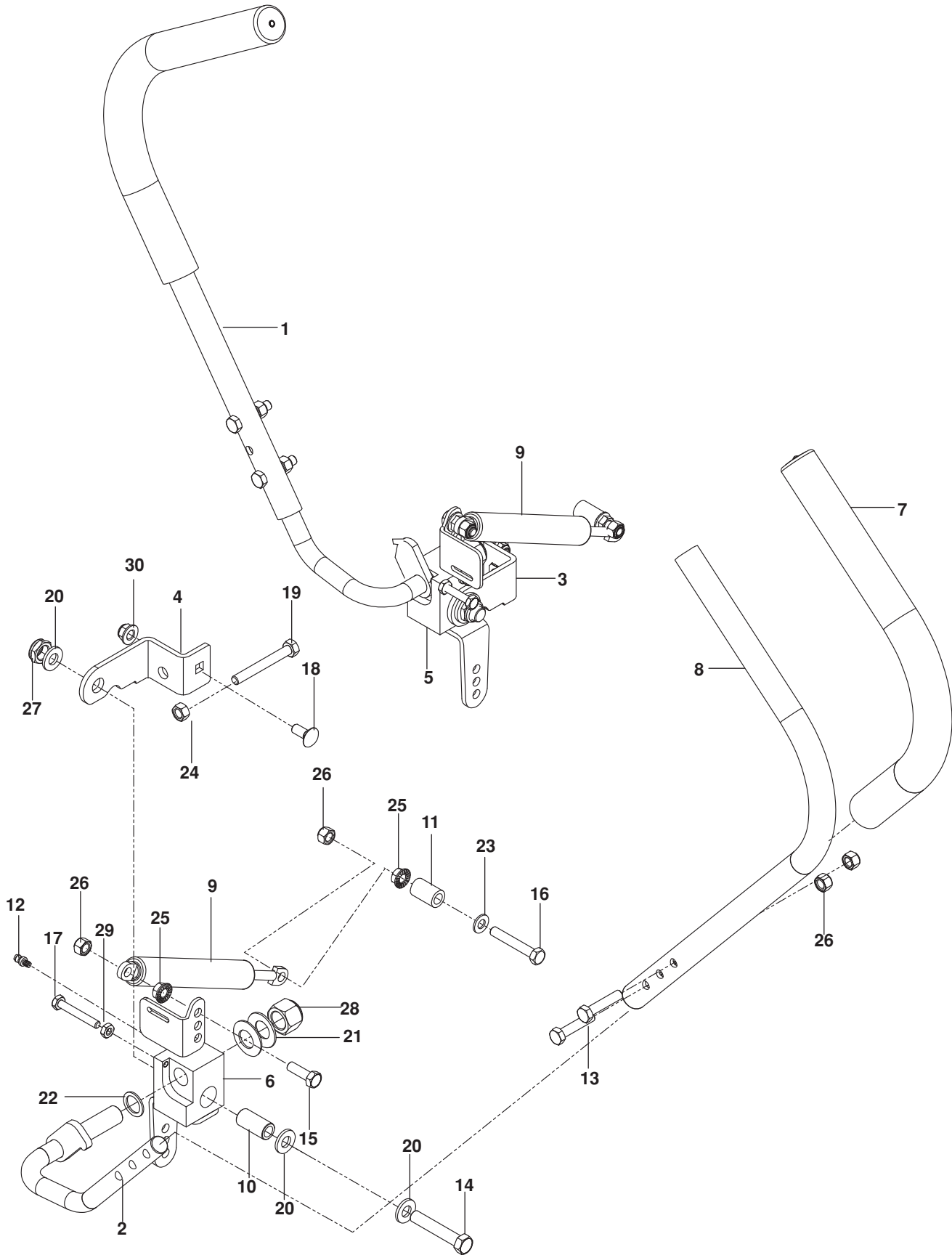


# ENGINE PLATE

---

ITEM	PART NO.	QTY.	DESCRIPTION	ITEM	PART NO.	QTY.	DESCRIPTION
1..	578 156302....	1....	PLATE, ENGINE ORG	12..	539 108395....	1....	HCS $\frac{5}{16}$ -18 x 2
2..	581 770001....	1....	GUIDE, BELT	13..	874 780632....	1....	HCS $\frac{3}{8}$ -16 x 2
3..	574 497504....	1....	ARM, IDLER	14..	817 120616....	3....	HHFS $\frac{3}{8}$ -16 x 1 THD FRM
4..	539 120812....	1....	PULLEY, IDLER	15..	817 490616....	2....	HHFS $\frac{3}{8}$ -16 x 1 THD FRM
5..	574 382001 ...	1....	PULLEY, ENGINE	16..	819 111116....	2....	WASHER $\frac{5}{16}$ SAE FLT
6..	539 116350....	1....	SPRING 3 $\frac{1}{2}$	17..	539 109562....	2....	WASHER $\frac{3}{8}$ x $\frac{3}{4}$ SPEC
7..	539 114387....	1....	SPACER	18..	539 115546....	1....	WASHER
8..	539 115270....	1....	BUSHING, METAL	19..	521 996501....	4....	NUT $\frac{3}{8}$ -16 HEX FLANGE NYL
9..	539 917033....	1....	KEY $\frac{1}{4}$ SQ x 2 $\frac{1}{2}$ LG	20..	539 200282....	1....	NUT $\frac{3}{8}$ -16 HEX JAM NYLOC
10..	539 101350....	1....	HCS $\frac{3}{8}$ -16 x 3	21..	539 990585....	1....	NUT $\frac{5}{16}$ -18 HEX WHIZLK
11..	874 610764....	1....	HCS $\frac{7}{16}$ -20 x 4	22..	539 112899....	2....	NUT $\frac{5}{16}$ -18 HEX FLANGE NYL

# STEERING



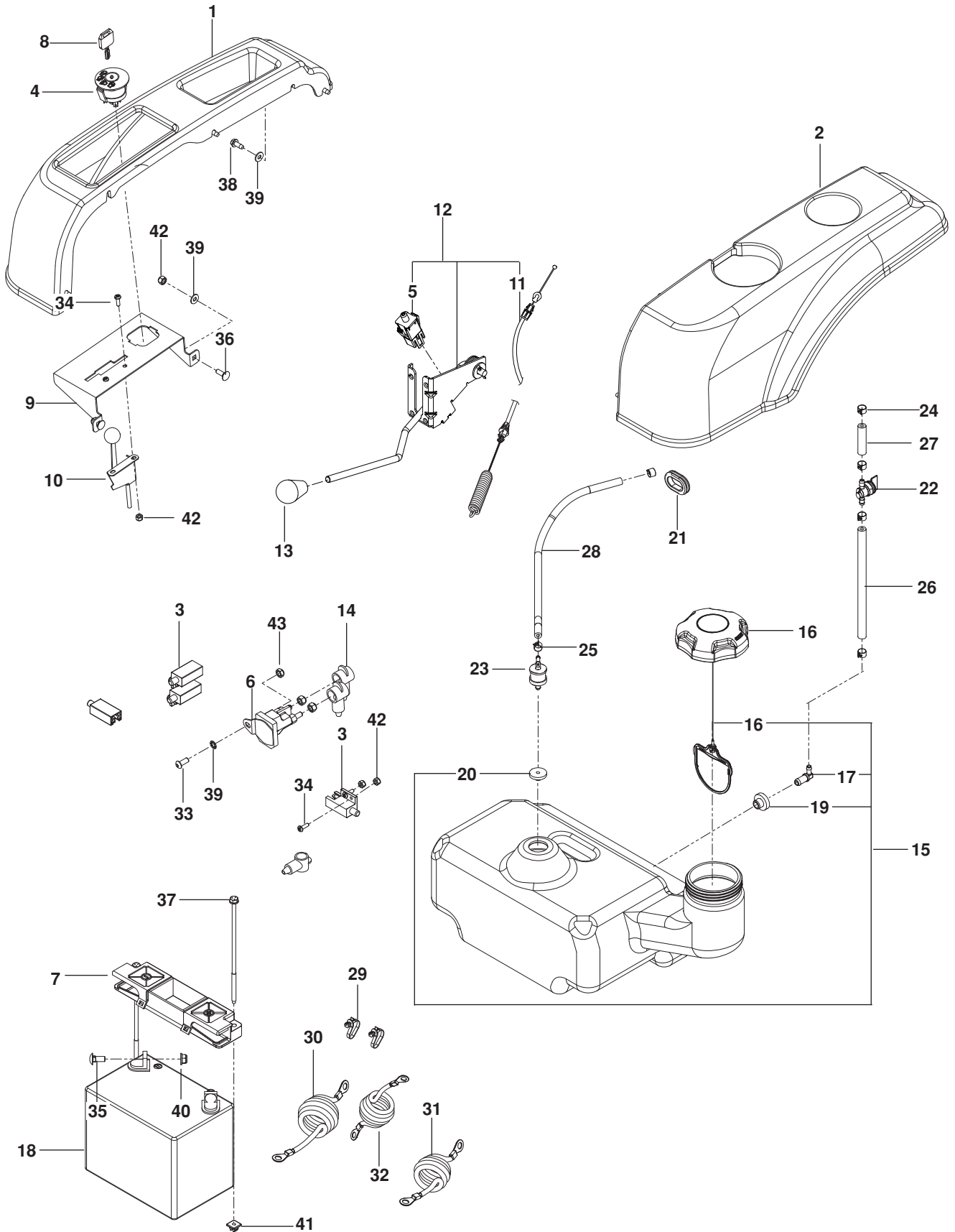


# STEERING

---

ITEM	PART NO.	QTY.	DESCRIPTION	ITEM	PART NO.	QTY.	DESCRIPTION
1..	539 120159....	1....	LOWER LEVER, RT	16..	539 108395....	2....	HCS $\frac{5}{16}$ -18 x 2
2..	539 120162....	1....	LOWER LEVER, LT	17..	874 780428....	2....	HCS $\frac{1}{4}$ -20 x $1\frac{3}{4}$
3..	539 117949....	1....	SUPPORT, STEER CNTRL RT	18..	539 990316....	2....	RHSNB $\frac{5}{16}$ -18 x $\frac{3}{4}$
4..	539 117950....	1....	SUPPORT, STEER CNTRL LT	19..	539 108396....	2....	HCS $\frac{5}{16}$ -18 x $2\frac{1}{2}$ TPBLT
5..	539 120984....	1....	PIVOT, RT	20..	819 171713....	6....	WASHER $\frac{1}{2}$ SAE
6..	539 120983....	1....	PIVOT, LT	21..	539 911121....	4....	WASHER $\frac{5}{8}$ BELLEVILLE
7..	539 120899....	2....	GRIP	22..	539 115570....	2....	WASHER, SPECIAL
8..	539 120160....	2....	LEVER, UPPER BLK	23..	539 990188....	2....	WASHER $\frac{5}{16}$ SAE FLT
9..	539 114453....	2....	DAMPENER	24..	873 220500....	2....	NUT $\frac{5}{16}$ -18 HEX
10..	539 120956....	2....	BUSHING $\frac{1}{2}$ ID x $\frac{3}{4}$ OD	25..	539 990585....	4....	NUT $\frac{5}{16}$ -18 HEX WHIZLK
11..	539 119087....	2....	BUSHING	26..	873 800500....	6....	NUT $\frac{5}{16}$ -18 HEX NYLOC
12..	539 115638....	2....	ZERK	27..	539 108010....	2....	NUT $\frac{1}{2}$ -13 JAM NYLOC GR 2
13..	874 780524....	4....	HCS $\frac{5}{16}$ -18 x $1\frac{1}{2}$	28..	539 110340....	2....	NUT $\frac{5}{8}$ -11 NYLOC
14..	539 101332....	2....	HCS $\frac{1}{2}$ -13 x $2\frac{3}{4}$	29..	873 350400....	2....	NUT $\frac{1}{4}$ -20 JAM
15..	874 780516....	2....	HCS $\frac{5}{16}$ -18 x 1	30..	539 112899....	2....	NUT $\frac{5}{16}$ -18 HEX FLG NYLOC

# IGNITION SYSTEM

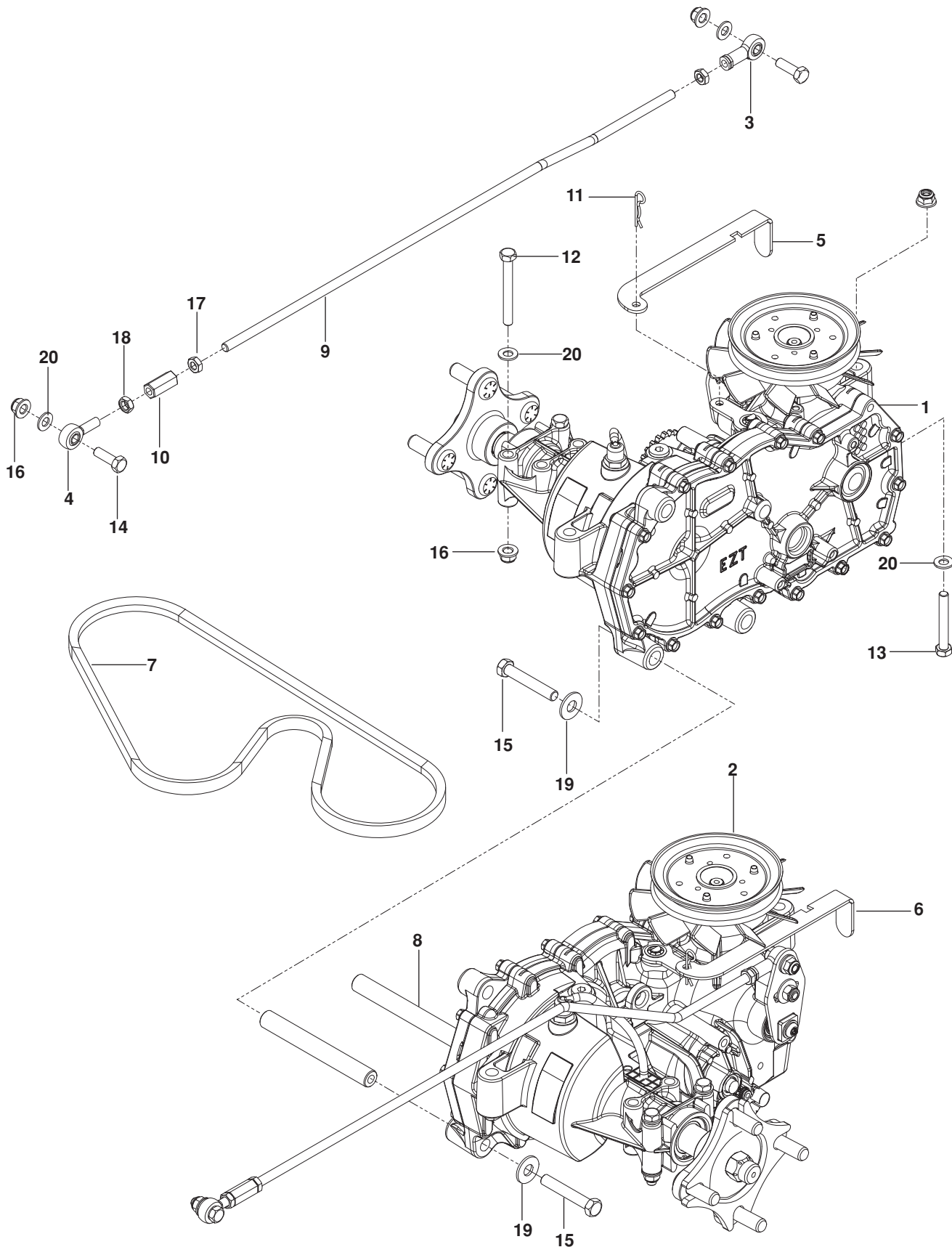


# IGNITION SYSTEM

---

ITEM	PART NO.	QTY.	DESCRIPTION	ITEM	PART NO.	QTY.	DESCRIPTION
1..	525 594701....	1....	FENDER, RT	24..	539 912222....	4....	CLAMP, HOSE
2..	525 594702....	1....	FENDER, LT	25..	575 436501....	2....	CLAMP, HOSE
3..	532 109553....	4....	SWITCH	26..	539 115736....	1....	HOSE ¼ x 8
4..	539 107541....	1....	SWITCH, IGNITION	27..	539 121486....	1....	HOSE, ¼ x 2
5..	532 176138....	1....	SWITCH, INTERLOCK	28..	574 521305....	1....	HOSE, FUEL, 3/16" x 20"
6..	532 192507....	1....	SOLENOID	29..	505 280001....	2....	WIRE TIE w/ CLIP
7..	539 107628....	1....	HOLD DOWN, BATTERY	30..	539 104974....	1....	CABLE, POSITIVE 31"
8..	532 140401....	1....	KEY, IGNITION	31..	539 103306....	1....	CABLE, POSITIVE 19"
9..	525 598601....	1....	PANEL, CONTROL	32..	539 110068....	1....	CABLE, NEGATIVE 25"
10..	585 974901....	1....	CABLE, THROTTLE	33..	874 780412....	1....	HCS ¼-20 x ¾
11..	532 193235....	1....	CABLE, CLUTCH	34..	539 976952..	10....	SCREW #10-24 x 5/8
12..	575 661501....	1....	CLUTCH ASSY w/ CABLE	35..	872 140506....	2....	RHSNB 5/16-18 x ¾
13..	539 132624....	1....	KNOB, CLUTCH	36..	872 110406....	2....	RHSNB ¼-20 x ¾ GR 2
14..	539 116400....	3....	TERMINAL COVER, SM	37..	532 145211....	2....	BOLT ¼ x 7½
15..	576 646403....	1....	TANK ASSY, FUEL	38..	817 490410..	10....	SCREW ¼-20 x 5/8 SLF TAP
16..	575 018101....	1....	CAP, FUEL w/ TETHER	39..	819 091016..	10....	WASHER ¼ FLT SAE
17..	539 110432....	1....	ELBOW	40..	539 112899....	2....	NUT 5/16-18 HEX FLG NYLOC
18..	539 102436....	1....	BATTERY	41..	539 107629....	2....	NUT ¼ PUSH NYLON
19..	539 105245....	1....	GROMMET, TANK	42..	539 976977..	10....	NUT #10-24 HEX NYLOC
20..	576 618201....	1....	GROMMET, CHECK VALVE	43..	873 800400....	3....	NUT ¼-20 HEX NYLOC
21..	539 105974....	1....	GROMMET, RUBBER				NOT SHOWN
22..	539 916325....	1....	VALVE, FUEL		585 507101 ...	1....	WIRING HARNESS
23..	576 618101....	1....	VALVE, FUEL CHECK				

# HYDRAULIC PUMP / MOTOR

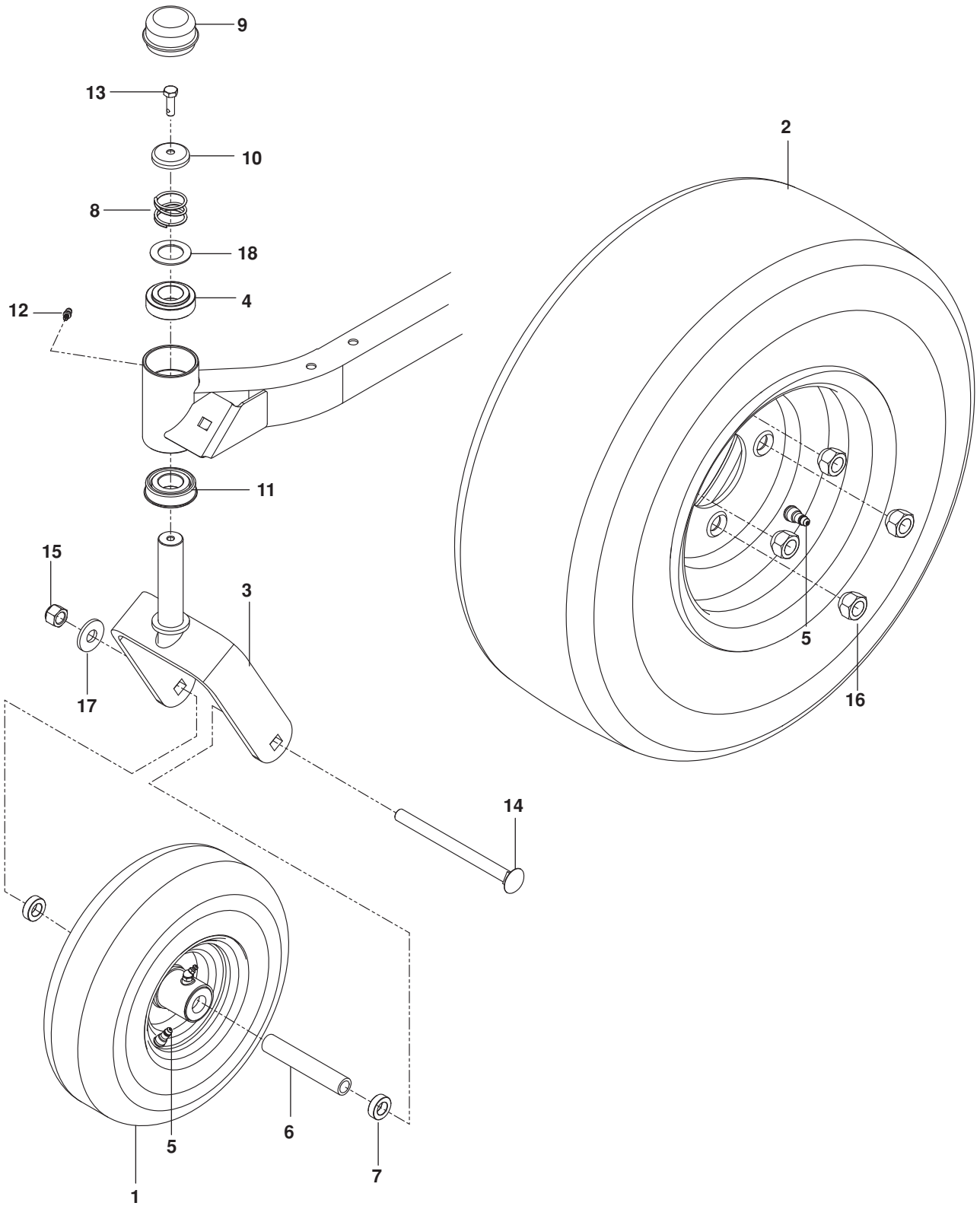


# HYDRAULIC PUMP / MOTOR

---

ITEM	PART NO.	QTY.	DESCRIPTION	ITEM	PART NO.	QTY.	DESCRIPTION
1..	539 120152....	1....	HYDRO, RT	11..	539 976988....	2....	HAIRPIN COTTER
2..	539 120153....	1....	HYDRO, LT	12..	874 780544....	4....	HCS $\frac{5}{16}$ -18 x $2\frac{3}{4}$
3..	539 115729....	2....	ROD END, RT	13..	874 780536....	2....	HCS $\frac{5}{16}$ -18 x $2\frac{1}{4}$
4..	539 116690....	2....	ROD END, MALE LT	14..	874 780516....	4....	HCS $\frac{5}{16}$ -18 x 1
5..	539 120157....	1....	RELEASE HANDLE, RT	15..	874 780636....	4....	HCS $\frac{3}{8}$ -16 x $2\frac{1}{4}$
6..	539 120156....	1....	RELEASE HANDLE, LT	16..	539 112899..	10....	NUT $\frac{5}{16}$ -18 HEX FLANGE NYL
7..	575 852401....	1....	BELT, EZT	17..	873 360500....	4....	NUT $\frac{5}{16}$ -24 HEX JAM
8..	574 356501....	2....	SPACER, HYDRO	18..	873 700500....	2....	NUT $\frac{5}{16}$ -24 HEX JAM LT
9..	539 120169....	2....	ROD, CONTROL	19..	819 141614....	4....	WASHER $\frac{3}{8}$ STD FLT
10..	539 116689....	2....	ROD END COUPLER	20..	819 111116..	10....	WASHER $\frac{5}{16}$ SAE FLT

# WHEELS / TIRES

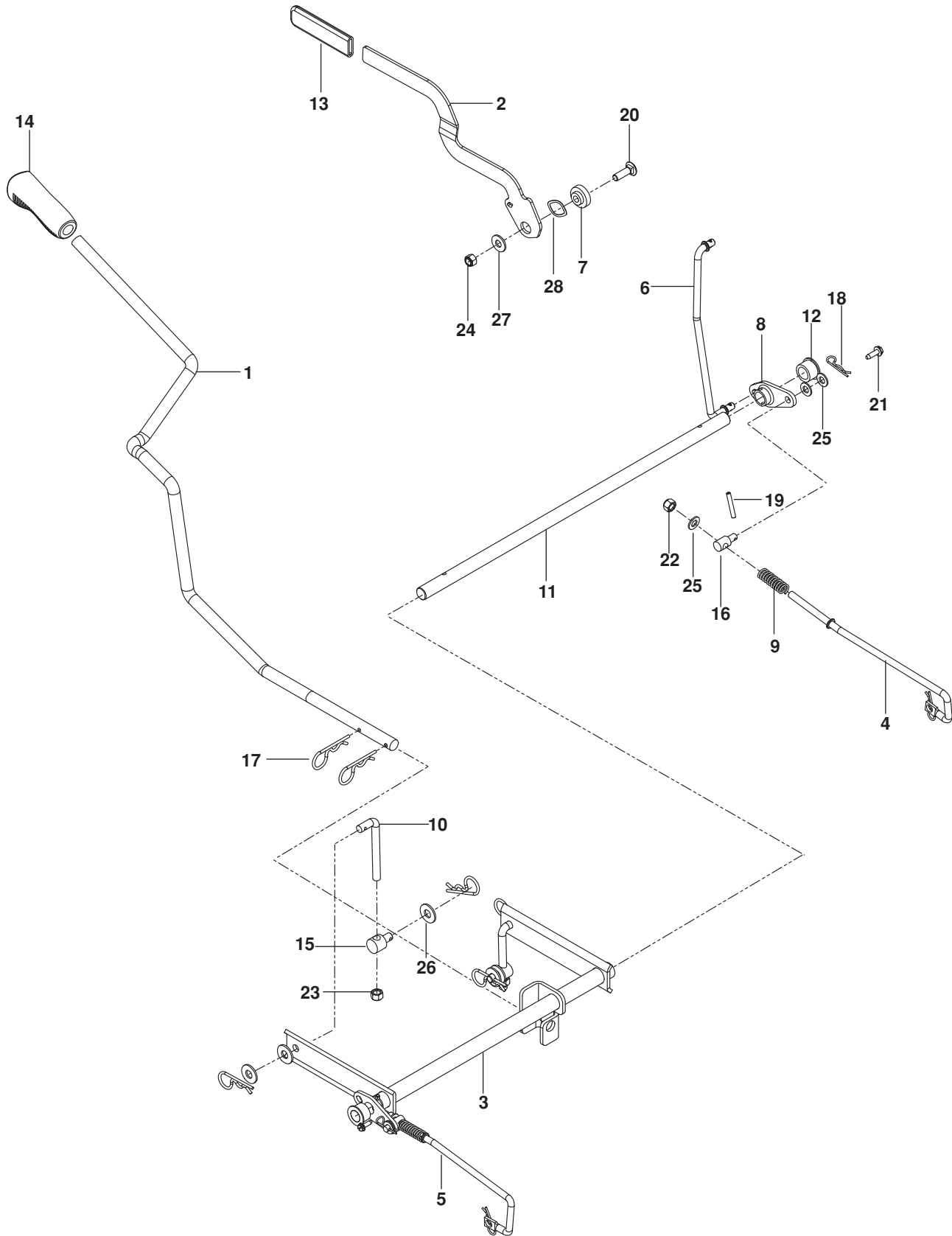


# WHEELS / TIRES

---

ITEM	PART NO.	QTY.	DESCRIPTION	ITEM	PART NO.	QTY.	DESCRIPTION
1..	581 199701....	2....	CASTER TIRE ASSY	10..	539 115749....	2....	PLUG, CASTER
2..	581 197901....	2....	WHEEL ASSY REAR	11..	539 112660....	2....	BEARING, FLANGED
3..	510 186501....	2....	YOKE, CASTER ORG	12..	539 115638....	2....	ZERK
4..	539 117901....	2....	BUSHING, CASTER	13..	874 950516....	2....	HHB <sup>5</sup> / <sub>16</sub> -18 x 1 NYLOC
5..	539 912234....	4....	VALVE	14..	721 408104....	2....	RHSNB <sup>1</sup> / <sub>2</sub> -13 x 6 <sup>1</sup> / <sub>2</sub>
6..	584 653101....	2....	SPACER	15..	873 930800....	2....	NUT <sup>1</sup> / <sub>2</sub> HEX CNTRLK
7..	581 269201....	4....	SPACER <sup>5</sup> / <sub>16</sub>	16..	539 101173....	8....	NUT <sup>1</sup> / <sub>2</sub> LUG
8..	539 115747....	2....	SPRING, CASTER	17..	819 182212....	2....	WASHER <sup>1</sup> / <sub>2</sub> FLT
9..	539 102535....	2....	CAP, GREASE	18..	539 115675....	2....	WASHER

# BRAKE / DECK LIFT



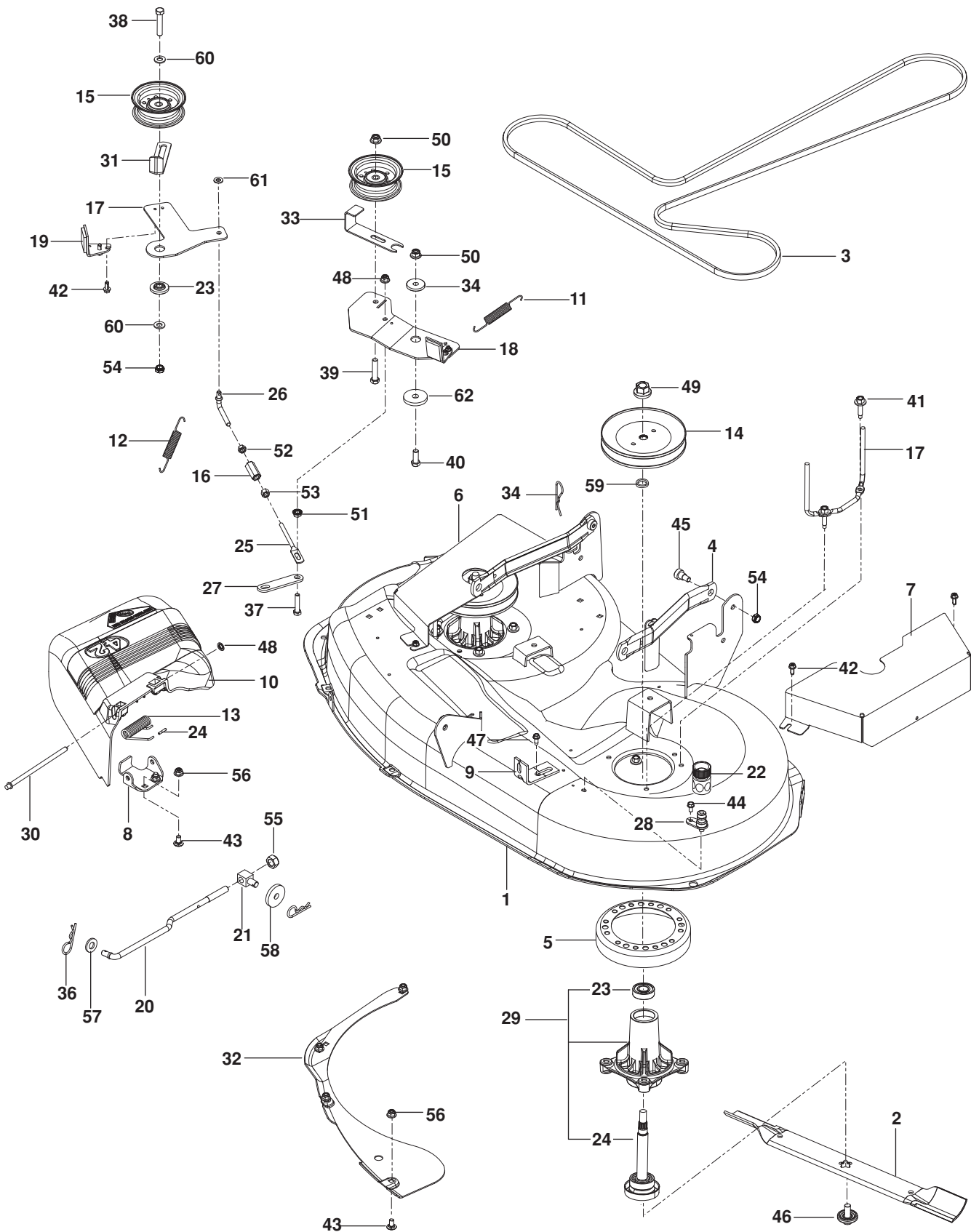


## BRAKE / DECK LIFT

---

ITEM	PART NO.	QTY.	DESCRIPTION	ITEM	PART NO.	QTY.	DESCRIPTION
1..	525 580402....	1....	ARM, LIFT BLK	15..	539 118179....	2....	SWIVEL
2..	525 485602....	1....	HANDLE, BRAKE BLK	16..	539 112308....	2....	SWIVEL, BRAKE
3..	574 356802....	1....	SHAFT, LIFT BLK	17..	539 976989....	6....	HAIRPIN
4..	525 583601....	1....	LINKAGE, BRAKE RT	18..	539 976988....	4....	HAIRPIN COTTER
5..	525 583701....	1....	LINKAGE, BRAKE LT	19..	539 101082....	2....	ROLL PIN 3/16"
6..	525 735701....	1....	LINKAGE, UPPER	20..	872 140610....	1....	RHSNB 3/8-16 x 1 1/4
7..	539 120220....	1....	PIVOT, BRAKE ARM	21..	539 991034....	2....	SCREW 10-24 x 5/8" WSH HD
8..	525 580201....	2....	BELLCRANK, BRAKE	22..	873 800500....	2....	NUT 5/16-18 HEX NYLOC
9..	539 101224....	2....	SPRING	23..	539 976979....	3....	NUT 3/8-16 HEX NYLOC
10..	539 115247....	2....	L-ROD 3 1/8"	24..	539 200282....	1....	NUT 3/8-16 HEX JAM NYLOC
11..	574 356601....	1....	ROD, BRAKE	25..	819 111116....	6....	WASHER 5/16 SAE FLAT
12..	539 109368....	2....	BUSHING, PLASTIC	26..	819 141614....	6....	WASHER 3/8 FLAT STD
13..	539 120921....	1....	GRIP, BRAKE HANDLE	27..	539 102843....	1....	WASHER 7/16 SPRING DISK
14..	532 445060....	1....	GRIP, LIFT HANDLE	28..	539 133007....	1....	WASHER, .825 WAVE

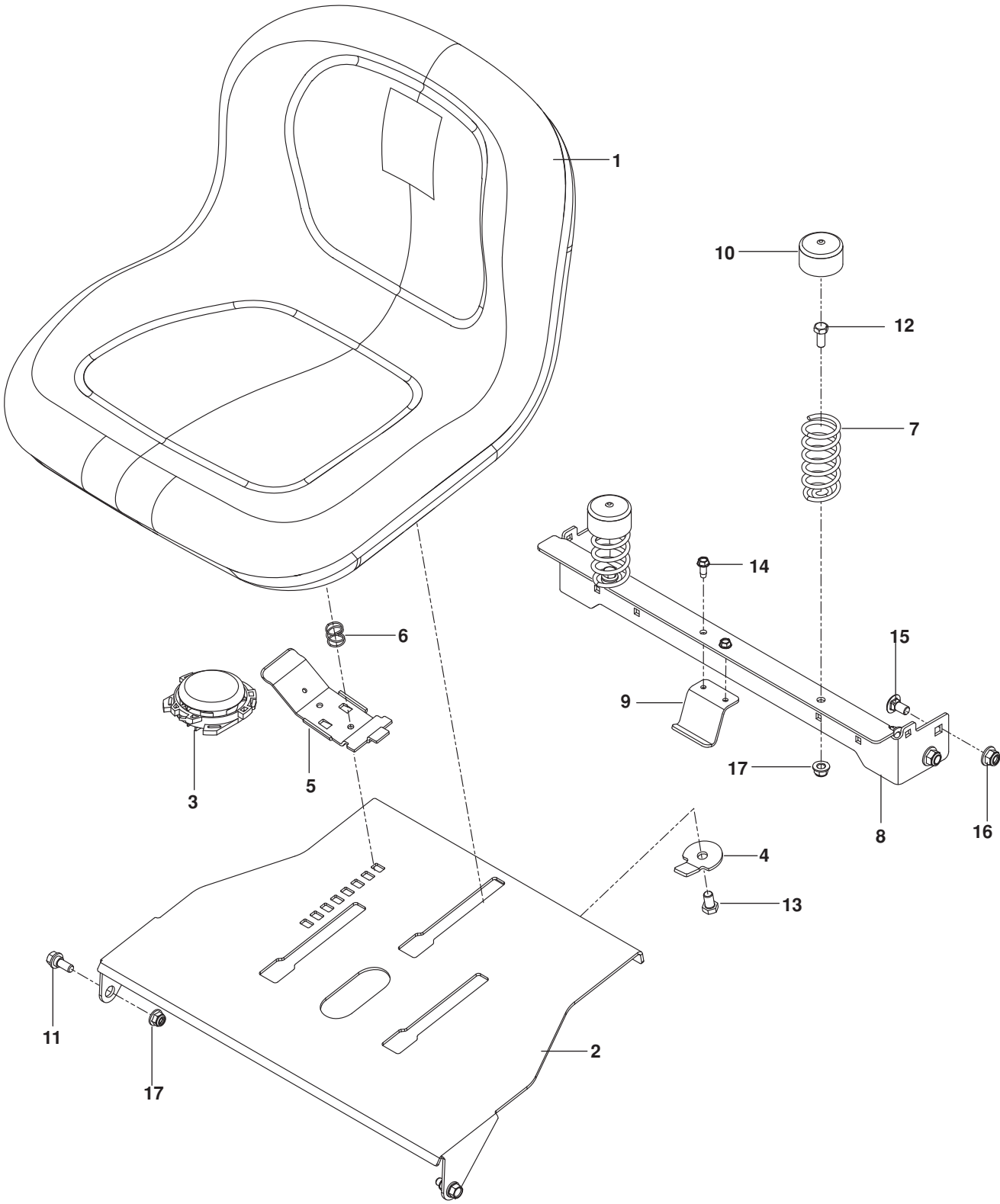
# MOWER DECK / CUTTING DECK



# MOWER DECK / CUTTING DECK

ITEM	PART NO.	QTY.	DESCRIPTION	ITEM	PART NO.	QTY.	DESCRIPTION
1..	575 699801....	1....	DECK w/ SAFETY DECALS	32..	539 110463....	1....	BAFFLE, DECK
2..	532 134149....	2....	BLADE 42"	33..	577 209101....	1....	KEEPER, BELT
3..	581 805901....	1....	BELT	34..	532 199092....	2....	SPACER RETAINER
4..	532 195185....	2....	SUSPENSION ARM, REAR	35..	532 165898....	1....	RETAINER
5..	539 107518....	2....	STRIPPER, ROUND BLK	36..	539 976989....	2....	HAIRPIN#4
6..	575 754602....	1....	BELT SHIELD, RT BLK	37..	874 780524....	1....	HCS <sup>5</sup> / <sub>16</sub> -18 x 1½
7..	575 754502....	1....	BELT SHIELD, LT BLK	38..	874 780632....	1....	HCS <sup>3</sup> / <sub>8</sub> -16 x 2
8..	532 192557....	1....	BRACKET, DEFLECTOR BLK	39..	874 780628....	1....	HCS <sup>3</sup> / <sub>8</sub> -16 x 1¾
9..	532 417645....	1....	BRACKET, CLUTCH CABLE	40..	874 780616....	1....	HCS <sup>3</sup> / <sub>8</sub> -16 x 1
10..	532 193108....	1....	SHIELD, DEFLECTOR	41..	539 107630....	8....	SCREW <sup>5</sup> / <sub>16</sub> -18 WSH HD
11..	532 401872....	1....	SPRING, RETURN	42..	539 107631....	8....	SCREW ¼-20 x <sup>5</sup> / <sub>8</sub>
12..	581 542601....	1....	SPRING, BRAKE RETURN	43..	872 110505....	8....	RHSNB <sup>5</sup> / <sub>16</sub> -18 x <sup>5</sup> / <sub>8</sub>
13..	539 110328....	1....	SPRING, TORSION	44..	539 990134....	1....	BOLT 10-24 x <sup>5</sup> / <sub>8</sub> WSH HD
14..	532 195945....	2....	PULLEY, MANDREL	45..	539 113621....	2....	BOLT <sup>3</sup> / <sub>8</sub> -16 x <sup>3</sup> / <sub>8</sub> SKT HD
15..	532 177968....	1....	PULLEY, IDLER	46..	532 193003....	2....	BOLT, WASHER
16..	539 116689....	1....	COUPLER	47..	817 000510....	1....	BOLT <sup>5</sup> / <sub>16</sub> -18
17..	574 693302....	1....	ARM, BRAKE BLK	48..	532 110452....	1....	PUSHNUT
18..	574 694502....	1....	ARM, IDLER BLK	49..	532 400234....	2....	NUT <sup>9</sup> / <sub>16</sub> TOP CNTRLK
19..	529 311801....	2....	ARM, LT BRAKE	50..	521 996501....	2....	NUT <sup>3</sup> / <sub>8</sub> -16 HEX FLG NYLOC
20..	532 195740....	1....	LINK, SUSPENSION	51..	539 990585....	1....	NUT <sup>5</sup> / <sub>16</sub> -18 HEX WHIZLK
21..	581 514301....	1....	SWIVEL	52..	873 700500....	1....	NUT <sup>5</sup> / <sub>16</sub> -24 LH THREAD
22..	532 416405....	1....	COUPLING, CONNECT	53..	539 990223....	1....	NUT <sup>5</sup> / <sub>16</sub> -24 HEX
23..	532 110485....	3....	BEARING	54..	539 200282....	3....	NUT <sup>3</sup> / <sub>8</sub> -16 HEX JAM NYLOC
24..	532 192872....	3....	SHAFT	55..	573 975201....	1....	NUT <sup>7</sup> / <sub>16</sub> -20 HEX NYLOC
25..	581 866301....	1....	LINK	56..	539 112899....	9....	NUT <sup>5</sup> / <sub>16</sub> -18 HEX FLG NYLOC
26..	581 866201....	1....	LINK, PINNED END	57..	819 171713....	1....	WASHER, SAE
27..	581 542701....	1....	PLATE, ATTACHMENT	58..	539 106504....	1....	WASHER, HEAVY
28..	532 415598....	1....	PORT, WASHOUT	59..	532 187690....	2....	WASHER, SPACER
29..	532 192870....	2....	MANDREL	60..	819 131316....	2....	WASHER <sup>3</sup> / <sub>8</sub> SAE FLT
30..	539 110462....	1....	ROD, HINGE	61..	819 111116....	1....	WASHER <sup>5</sup> / <sub>16</sub> SAE FLT
31..	525 851801....	1....	GUIDE, BELT	62..	539 102998....	1....	WASHER, FRICTION

# SEAT

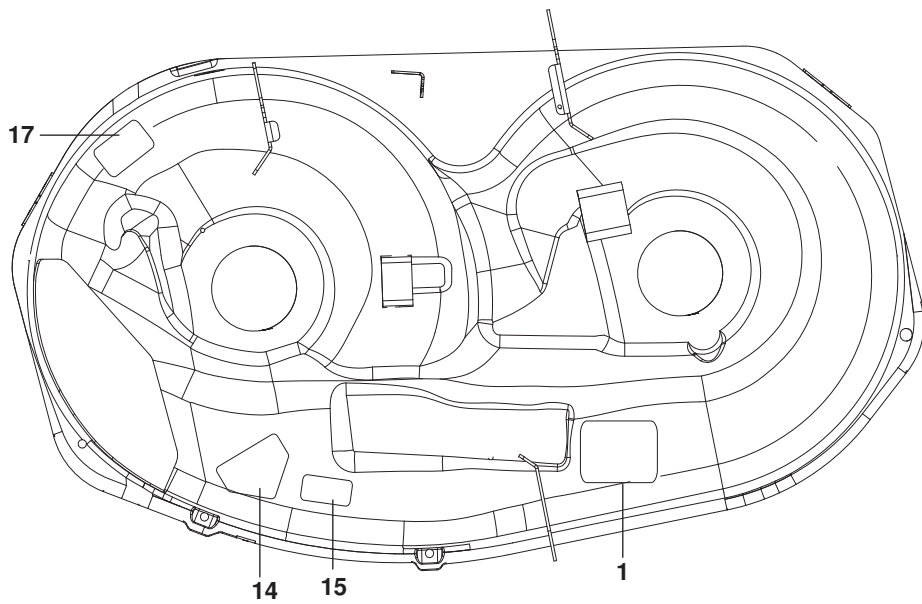
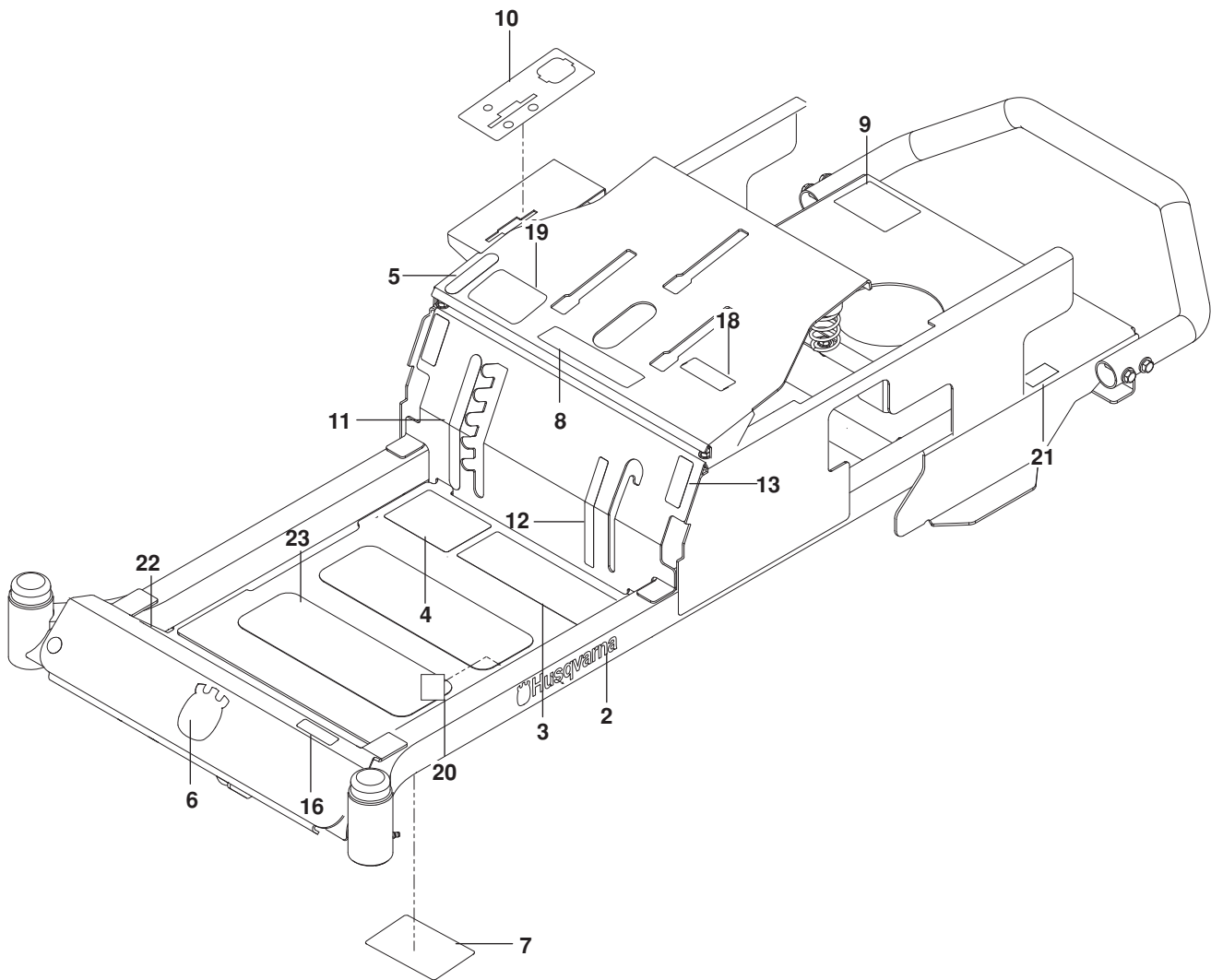


# SEAT

---

ITEM	PART NO.	QTY.	DESCRIPTION	ITEM	PART NO.	QTY.	DESCRIPTION
1..	532 439822....	1....	SEAT	10..	539 119884....	2....	CAP, SPRING
2..	574 356302....	1....	PLATE, SEAT ORG	11..	539 110303....	2....	BOLT $\frac{5}{16}$ -SHOULDER
3..	539 132140....	1....	SWITCH, SEAT N/C	12..	874 780512....	2....	HCS $\frac{5}{16}$ -18 x $\frac{3}{4}$
4..	574 191002....	1....	STOP, SEAT	13..	874 780610....	1....	HCS $\frac{3}{8}$ -16 x $\frac{5}{8}$
5..	532 197661....	1....	HANDLE, SEAT SLIDE	14..	817 490410....	2....	SCREW $\frac{1}{4}$ -20 x $\frac{5}{8}$ SLF TAP
6..	532 198200....	1....	SPRING, SEAT SLIDE	15..	872 140606....	4....	RHSNB $\frac{3}{8}$ -16 x $\frac{3}{4}$
7..	539 122632....	2....	SPRING, SEAT	16..	521 996501....	4....	NUT $\frac{3}{8}$ -16 FLANGE NYLOC
8..	574 356402....	1....	SEAT SUPPORT, REAR ORG	17..	539 112899....	4....	NUT $\frac{5}{16}$ -18 HEX FLANGE NYL
9..	525 864502....	1....	BRACKET, FUEL TANK BLK				

# DECALS



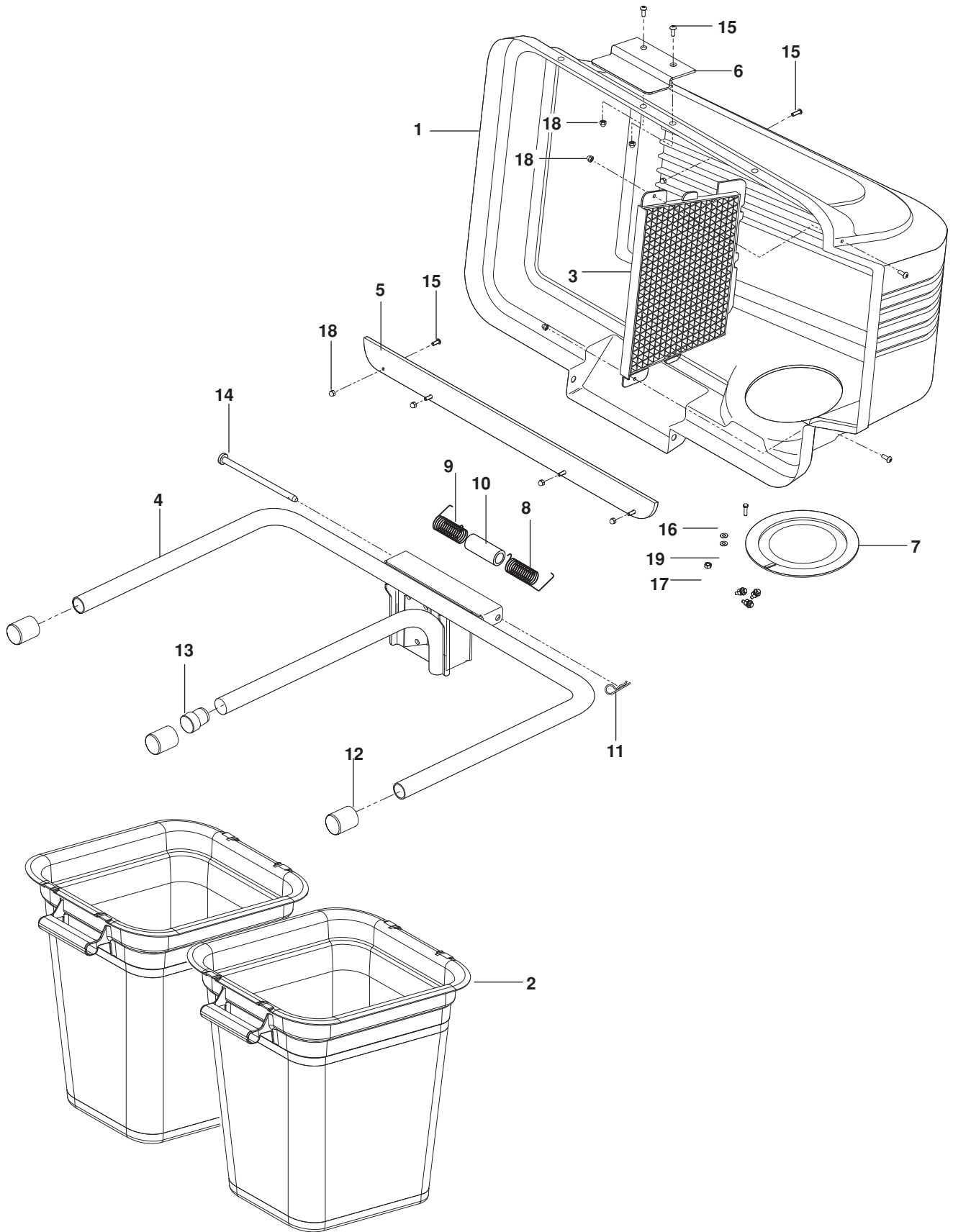
# DECALS

---

ITEM	PART NO.	QTY.	DESCRIPTION	ITEM	PART NO.	QTY.	DESCRIPTION
1..	510 240201....	1....	DECAL, BELT ROUTING	13..	539 103333....	2....	DECAL, MOTION CONTROL
2..	532 429196....	2....	DECAL, HUSQVARNA	14..	539 913010....	1....	DECAL, BLADE WARNING
3..	539 109908....	1....	DECAL, SAFETY WARNING	15..	539 105746....	1....	DECAL, SEVERING
4..	586 258401....	1....	DECAL, STARTING	16..	577 420901....	1....	DECAL, RZ4219
5..	539 120006....	1....	DECAL, PARK BRAKE	17..	581 724401....	1....	DECAL, DISCHARGE
6..	532 428676....	1....	DECAL, CROWN	18..	539108386....	1....	DECAL, EXITING MOWER
7..	539 109897....	1....	DECAL, SERVICE	19..	539110522....	1....	DECAL, RESPONSIBILITY
8..	539 105745....	1....	DECAL, BATTERY WARNING	20..	539110279....	1....	DECAL, ECM, AUSTRALIA
9..	539 108385....	1....	DECAL, DO NOT TOW	21..	581724102....	1....	DECAL.80 DBA.AUSTRALIA
10..	585 984901....	1....	DECAL, CONTROL PANEL	22..	539 121322....	2....	PAD, FOOT REST
11..	525 814201....	1....	DECAL, DECK HEIGHT	23..	539 977778....	2....	PAD, ABRASIVE
12..	525 814301....	1....	DECAL, BLADE ENGAGE				

# ACCESSORIES

BAGGER





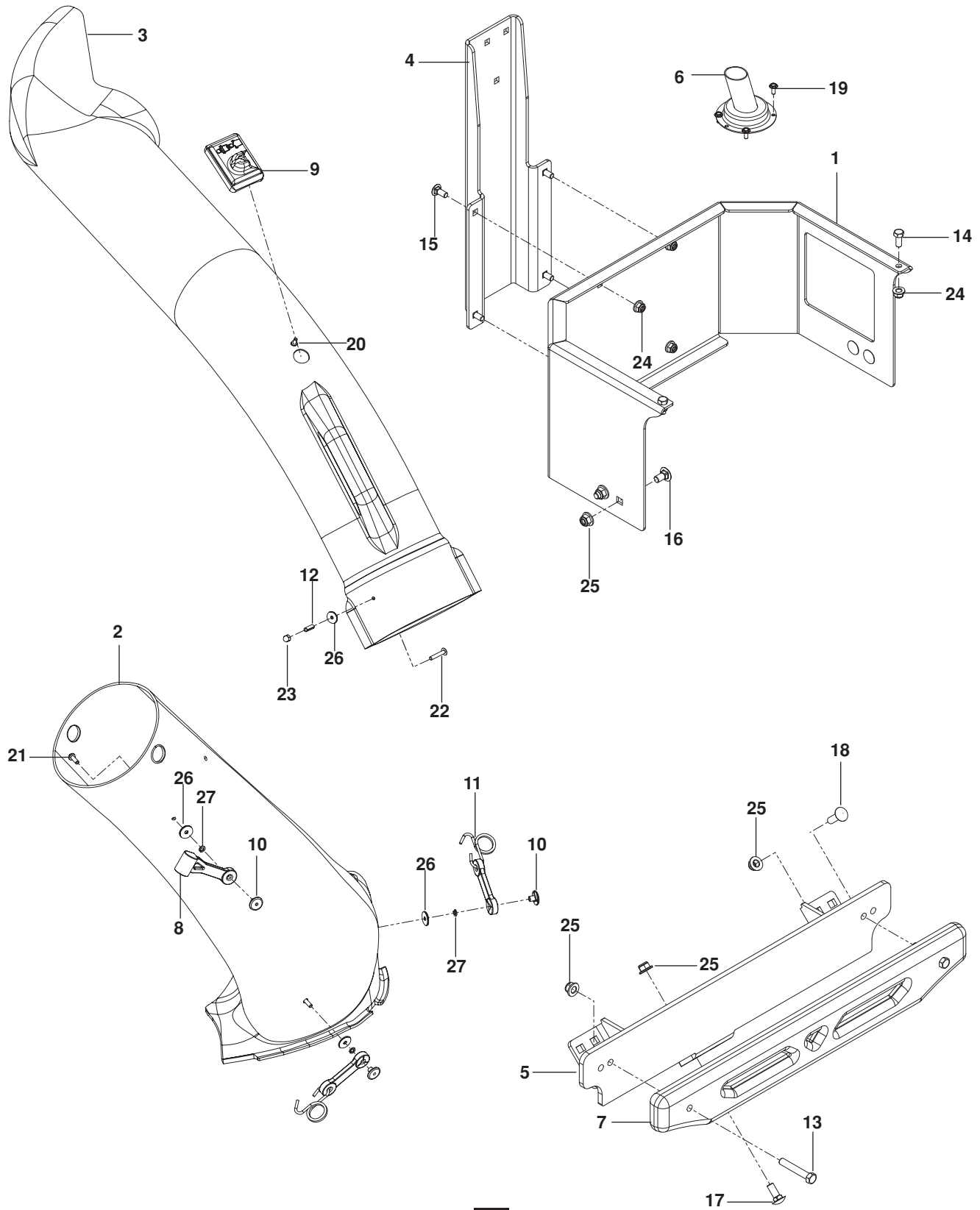
# ACCESSORIES

---

ITEM	PART NO.	QTY.	DESCRIPTION	ITEM	PART NO.	QTY.	DESCRIPTION
1..	539 111139....	1....	COVER ASSY, COMPLETE	11..	539 108096....	1....	HAIRPIN, RETAINER
2..	532 400226....	2....	CONTAINER, SOFT BAG	12..	539 108097....	3....	CAP, TUBING END
3..	532 127533....	1....	SCREEN, COVER	13..	522 801301....	1....	SPACER PLUG
4..	532 179746....	1....	BAGGER, FRAME	14..	532 192786....	1....	PIN, HINGE
5..	532 155042....	1....	STRIP, REINFORCEMENT	15..	539 976952....	9....	SCREW #10-24 x 5/8
6..	532 130895....	1....	LATCH HANDLE, COVER	16..	539 106312....	4....	SCREW #10-24 x 3/4
7..	532 127534....	1....	GASKET	17..	539 976977....	4....	NUT #10-24 HEX NYLOC
8..	532 132796....	1....	SPRING, COVER LH	18..	539 108086....	9....	NUT #10-24 ACORN
9..	532 132983....	1....	SPRING, COVER RH	19..	539 105408....	8....	WASHER #10 FLAT
10..	532 133235....	1....	SPACER, COVER				

# ACCESSORIES

## MOUNT, CHUTES AND WEIGHT



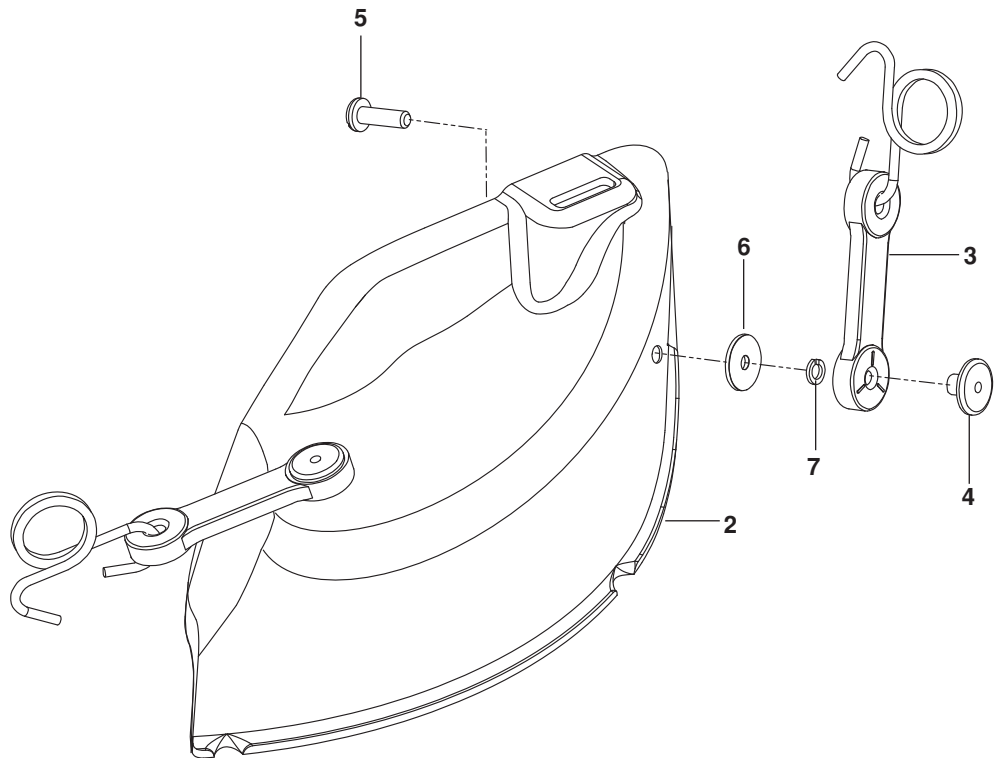
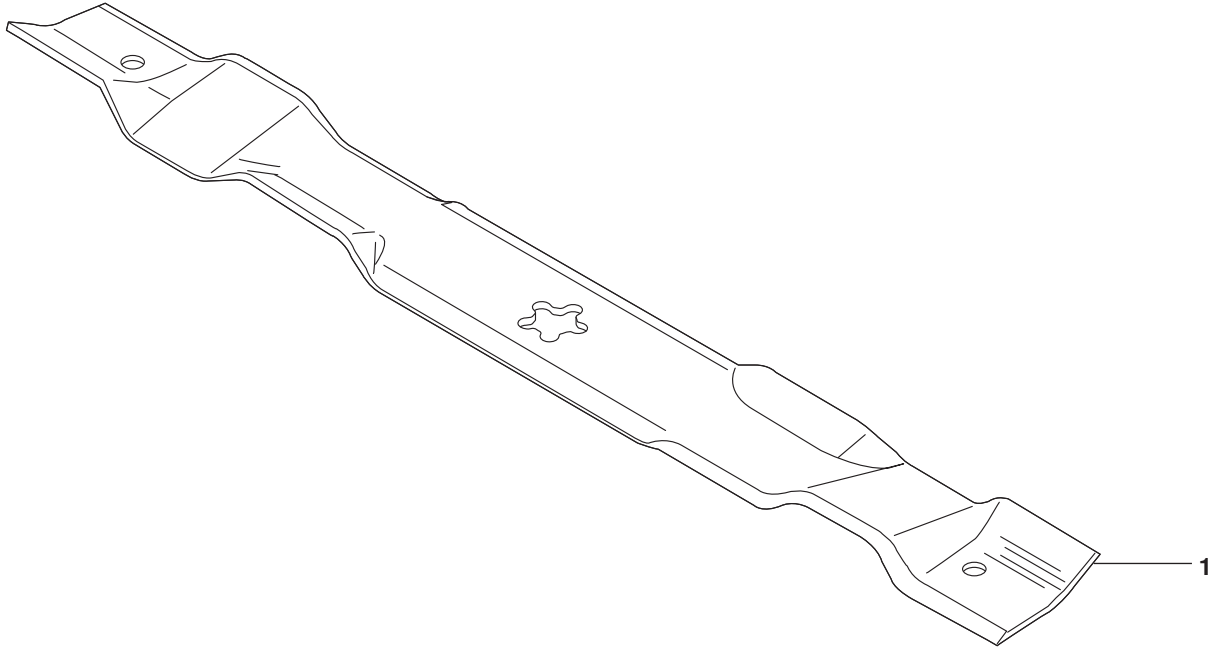
# ACCESSORIES

---

ITEM	PART NO.	QTY.	DESCRIPTION	ITEM	PART NO.	QTY.	DESCRIPTION
1..	574 031006....	1....	GUARD, REAR	15..	539 990316....	4....	RHSNB $\frac{5}{16}$ -18 x $\frac{3}{4}$
2..	575 494401....	1....	CHUTE, LOWER 42	16..	539 111785....	4....	RHSNB $\frac{3}{8}$ -16 x $\frac{3}{4}$
3..	539 108141....	1....	CHUTE, UPPER	17..	539 990645....	1....	RHSNB $\frac{3}{8}$ -16 x 1
4..	574 031102....	1....	BRACKET, HANGER	18..	539 100413....	2....	RHSNB $\frac{3}{8}$ -16 x $1\frac{1}{4}$
5..	574 255502....	1....	BRACKET, WEIGHT	19..	539 115537....	4....	SCREW, HEX WASHER HD
6..	539 131601....	1....	EXTENSION, MUFFLER	20..	539 108081....	1....	SCREW #10-14 x $\frac{1}{2}$ SPECIAL
7..	539 113177....	1....	CAST WEIGHT	21..	539 976952....	6....	SCREW #10-24 x .625
8..	539 108088....	2....	LATCH, HOOD	22..	539 108083....	1....	SCREW #10- 24 x $1\frac{1}{8}$
9..	539 108082....	1....	BAG INDICATOR	23..	539 108086....	1....	NUT #10- 24 ACORN
10..	539 108089....	6....	WELD NUT, PLATED	24..	539 112899....	6....	NUT $\frac{5}{16}$ -18 HEX FLG NYLOC
11..	539 108194....	2....	LATCH ASSY	25..	521 996501....	7....	NUT $\frac{3}{8}$ -16 HEX FLG
12..	539 108085....	1....	SPACER, SPLIT	26..	539 108084....	7....	WASHER $\frac{3}{16}$ x $\frac{3}{4}$ x 16 GA
13..	539 990629....	2....	HCS $\frac{3}{8}$ -16 x $2\frac{1}{4}$	27..	539 109552....	6....	WASHER $\frac{3}{16}$ LOCK
14..	539 990206....	2....	HCS $\frac{5}{16}$ -18 x $\frac{3}{4}$				

# ACCESSORIES

## MULCH KIT



# ACCESSORIES

---

ITEM	PART NO.	QTY.	DESCRIPTION
1..	532 134149....	1....	BLADE, MULCH
2..	532 193107....	1....	PLATE, MULCHER
3..	539 108194....	2....	LATCH ASSY
4..	539 108089....	2....	WELD NUT, PLATED

ITEM	PART NO.	QTY.	DESCRIPTION
5..	539 976952....	2....	SCREW 10-24 x .625
6..	539 108084....	2....	WASHER $\frac{3}{16}$ x $\frac{3}{4}$ x 16 GA
7..	539 109552....	2....	WASHER $\frac{3}{16}$ LOCK





